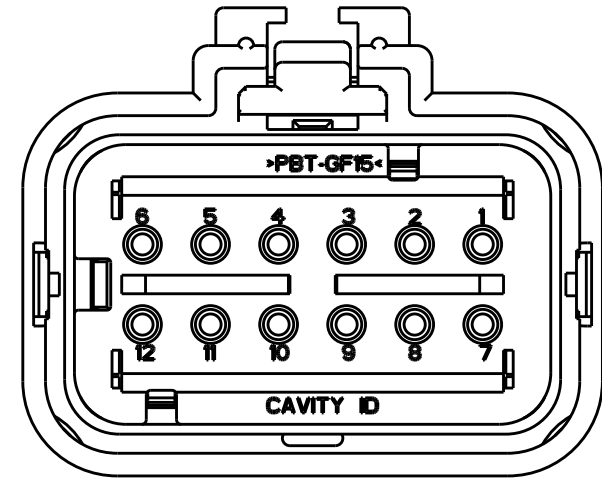
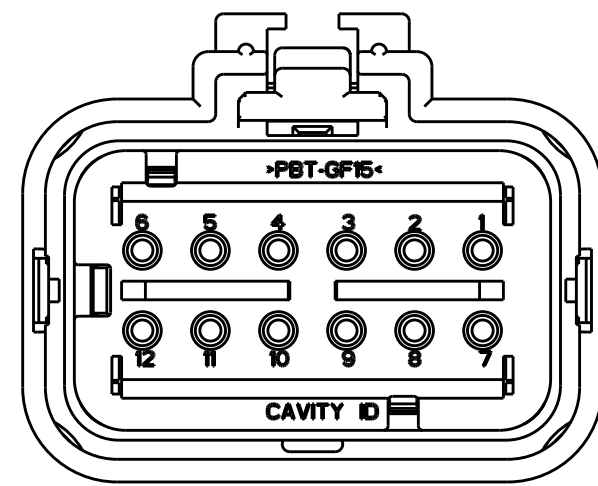


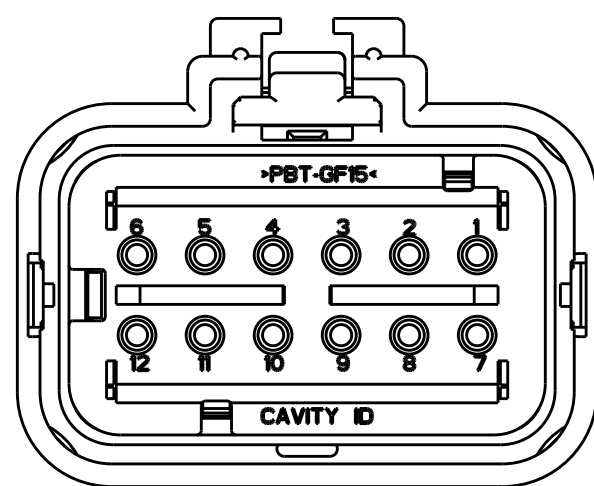
REVISIONS				
P	LTR	DESCRIPTION	DATE	APVD
F		REVISED PER ECO-13-019231	09DEC2013	DR RB



776437-2  
SCALE 2:1

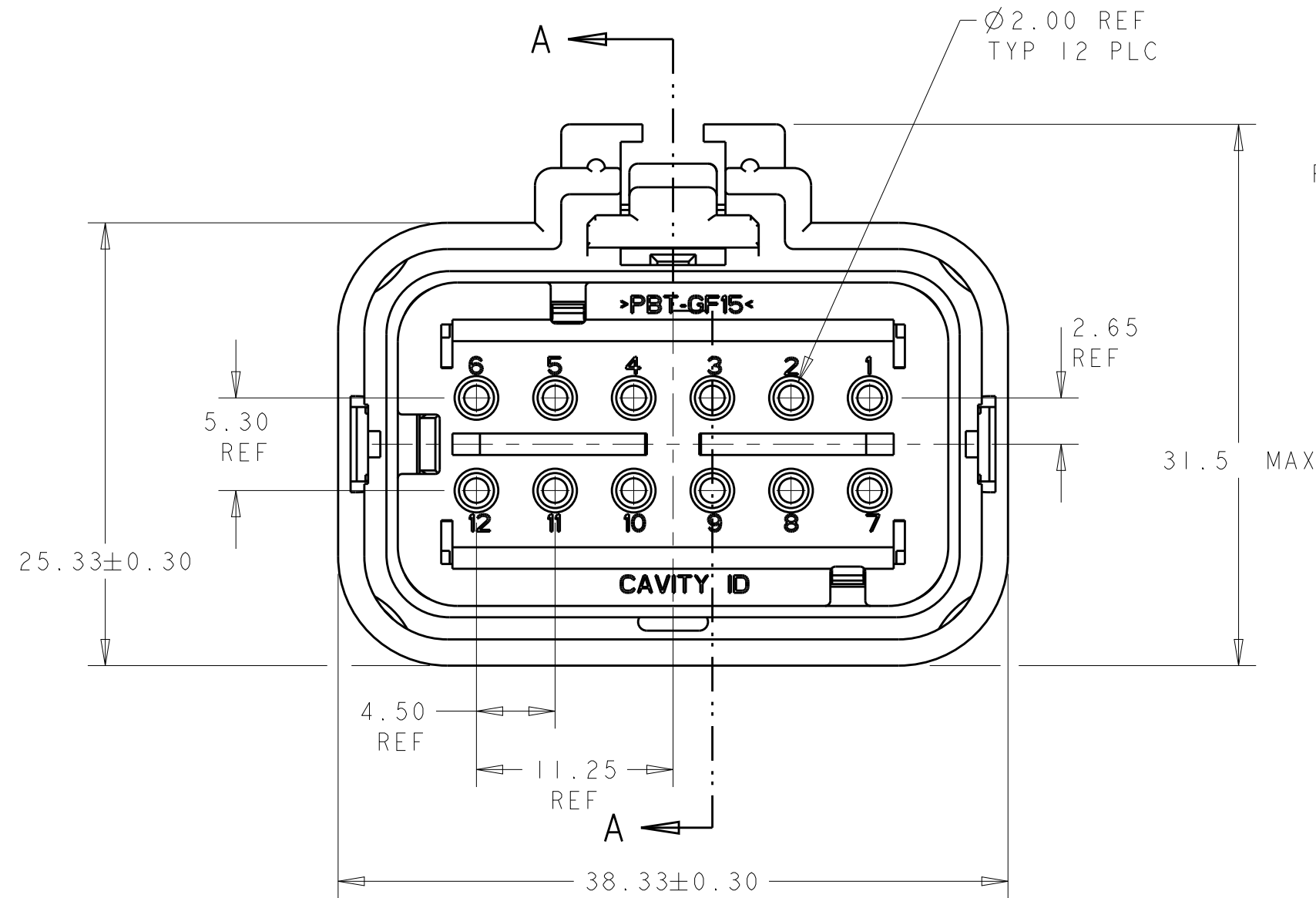


776437-3  
SCALE 2:1

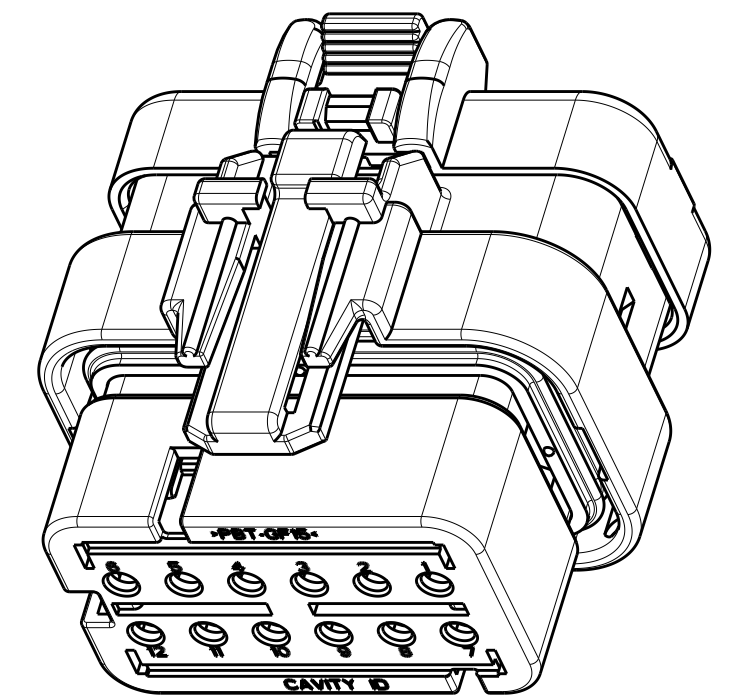
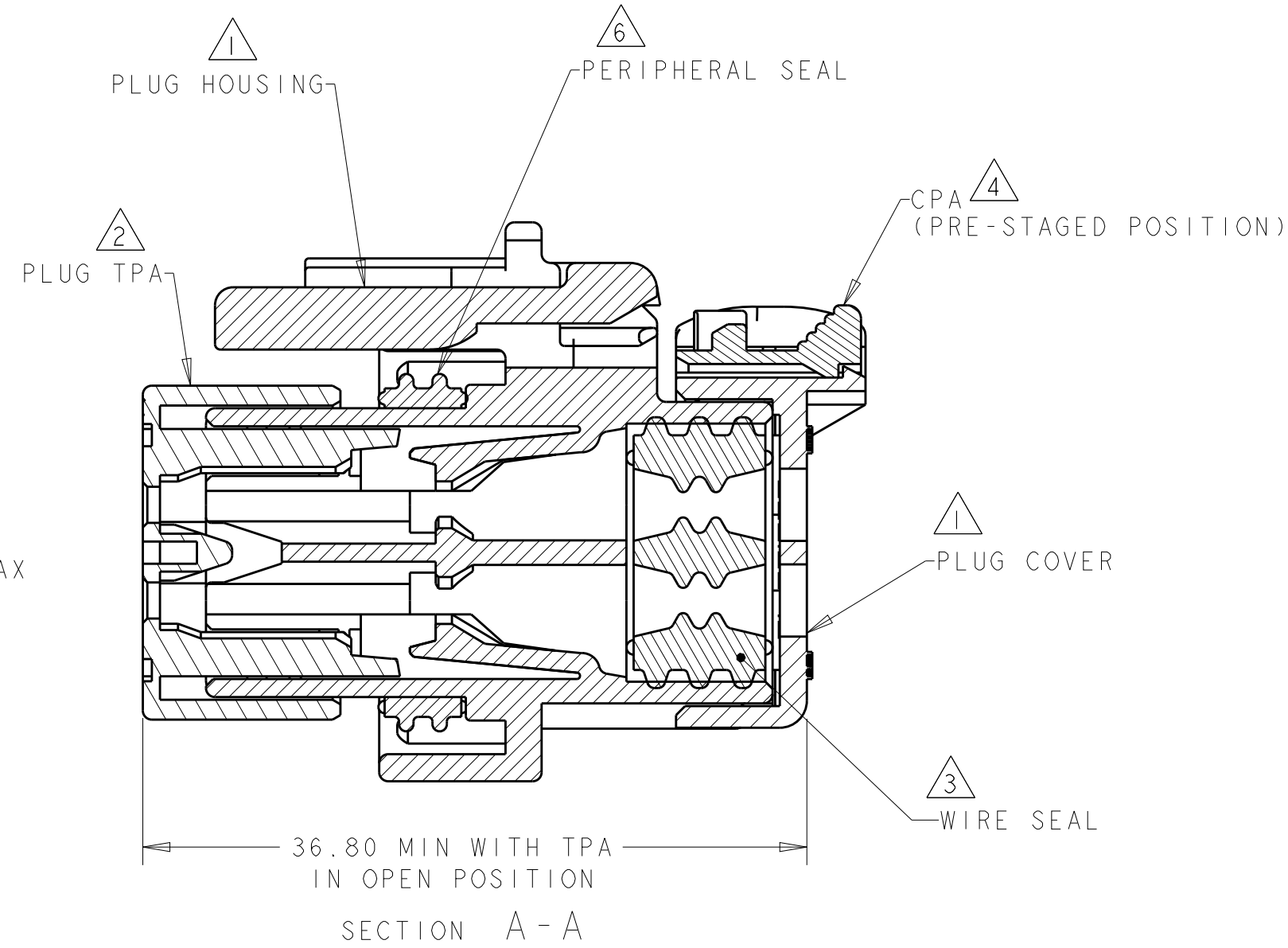


776437-4  
SCALE 2:1

- 1 MATERIAL: 15% GLASS FILLED THERMOPLASTIC  
COLOR: BLACK
- 2 MATERIAL: 15% GLASS FILLED THERMOPLASTIC  
COLOR: (SEE TABLE)
- 3 MATERIAL: SILICONE  
COLOR: GREEN
- 4 MATERIAL: 15% GLASS FILLED THERMOPLASTIC  
COLOR: RED
- 5. RECOMMENDED WIRE DIAMETER RANGE IS 2.18 TO 3.67mm.
- 6 MATERIAL: SILICONE  
COLOR: TAN



776437-1 SHOWN



SCALE 2:1

GREEN	776437-4
YELLOW	776437-3
GRAY	776437-2
RED	776437-1
TPA COLOR	PART NUMBER

THIS DRAWING IS A CONTROLLED DOCUMENT.		DWN AJ GRAFF 07JUN00	TE Connectivity PLUG ASSEMBLY, 12 POSITION, DUAL ROW, AMPSEAL 16	
DIMENSIONS: mm		CHK R GREINER 03JAN02		
TOLERANCES UNLESS OTHERWISE SPECIFIED:		APVD M TRULLI 03JAN02	NAME	
0 PLC ±		PRODUCT SPEC	RESTRICTED TO	
1 PLC ±		108-2184	-	
2 PLC ±		APPLICATION SPEC	-	
3 PLC ±		114-13065	-	
4 PLC ±		WEIGHT	-	
ANGLES ±		20	-	
FINISH -		Customer Drawing	-	
-			-	
-			-	
			-	